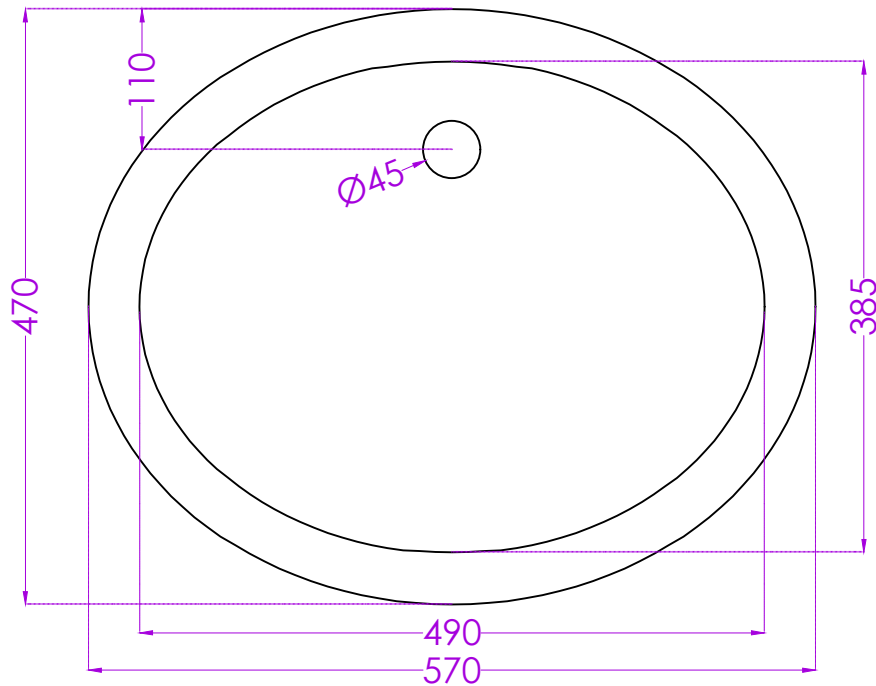


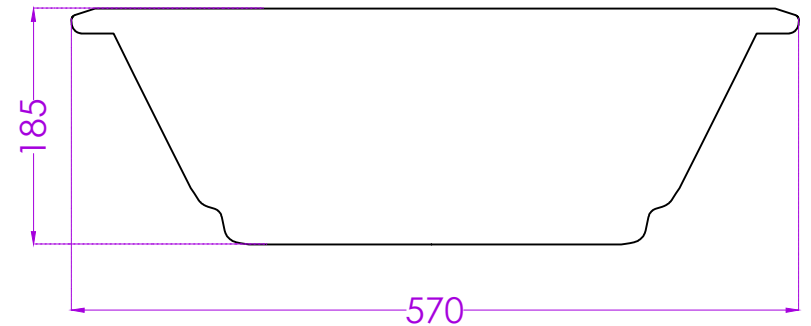
# CRESS P0813PW0301

## UNDER COUNTER OVAL BASIN

# JOHNSON



PLAN



FRONT